

# Chatillon® CMA Series Digital Scales

Specification Sheet

SS-CMA-0310

March 2010

The CHATILLON® CMA Series digital scale is a precision weighing solution for high capacity weighing. The CMA Series is ideal for warehouse applications. The CMA Series is available in six capacities from 1320 lbs to 22,000 lbs (600 to 10,000 kg). All CMA Series have a measurement accuracy of better than 0.2% full scale. The scale features an easy-to-read, LED display that indicates measured values in either pounds (lbs) or kilograms (kg). A cast aluminum housing makes the CMA ideal for harsh environments. The CMA Series is powered using rechargeable battery pack. The scale can display the peak weight. You may add accessories and tare out their weight up to 100% of the scale's rated capacity. Operation is simple using the integral push-button style keys or using the optional wireless remote controller. The remote controller lets you change units, clear measurements, zero and tare out weight at a distance of up to 100 feet (30 m).

The CMA Series scale is supplied with hanging loop, S-hook, charger/adaptor with US, EU and UK plug adapter. The CMA Series is supplied with a Certificate of Conformance. An optionally available Certificate of Calibration with NIST is available.

## Features

- Displays LB and Kg units of measure
- Rugged, Cast Aluminum Housing
- Bright, LED Display, Large View Area
- Wireless Remote Indicator can be located up to 100 ft (30 m) away from the measuring head
- Peak Weigh Capture
- 150% Safety Overload (500% Ultimate Overload)
- Rechargeable Battery
- 1 Year Warranty



Shown with standard Remote Controller. Perform scale functions up to 100m (300 ft) away.



AMETEK®

Chatillon®  
Precision Weighing

## Ordering

### CMA Series w/ Conformance Cert

Model	Capacity	Capacity
CMA-1320	1320 lb x 0.5 lb	600 kg x 0.1 kg
CMA-2200	2200 lb x 0.5 lb	1000 kg x 0.2 kg
CMA-4400	4400 lb x 1 lb	2000 kg x 0.5 kg
CMA-6600	6600 lb x 2 lb	3000 kg x 1 kg
CMA-11K	11,000 lb x 2 lb	5000 kg x 1 kg
CMA-22K	22,000 lb x 5 lb	10,000 kg x 2 kg

## Specifications

**Accuracy:** Better than 0.2% of full scale

**Safe Overload:** 150% of rated capacity

**Ultimate Overload:** 500% of rated capacity

**Display:** LED

**Display Rate:** 15Hz

**Resolution:** 3000:1

**Data Sampling Rate:** 60Hz

**Power:** Rechargeable Battery

**Continuous Operation:** 70 hrs (typical)

**Key Pad:** Switch Key-style (On/off, Units, Tare/Zero)

**Operating Temperature:** 32° to 104°F (0° to 40°C)

**Storage Temperature:** -4° to 104°F (-20° to 40°C)

**Relative Humidity:** 0 to 85%

**RoHS Compliant:** Yes

**WEEE Compliant:** Yes

### Standard Accessories

Top Holding Loop

Bottom Swivel Hook (Permanently attached)

Battery Charger/Adapter

Certificate of Conformance

User Guide

### Instrument Weights

Model	Instrument	Shipping
CMA-1320	34 lbs (16 kg)	37 lbs (17 kg)
CMA-2200	34 lbs (16 kg)	37 lbs (17 kg)
CMA-4400	39 lbs (18 kg)	42 lbs (19 kg)
CMA-6600	42 lbs (19 kg)	46 lbs (21 kg)
CMA-11K	66 lbs (30 kg)	70 lbs (32 kg)
CMA-22K	90 lbs (41 kg)	95 lbs (43 kg)

Note: Weights are approximate.

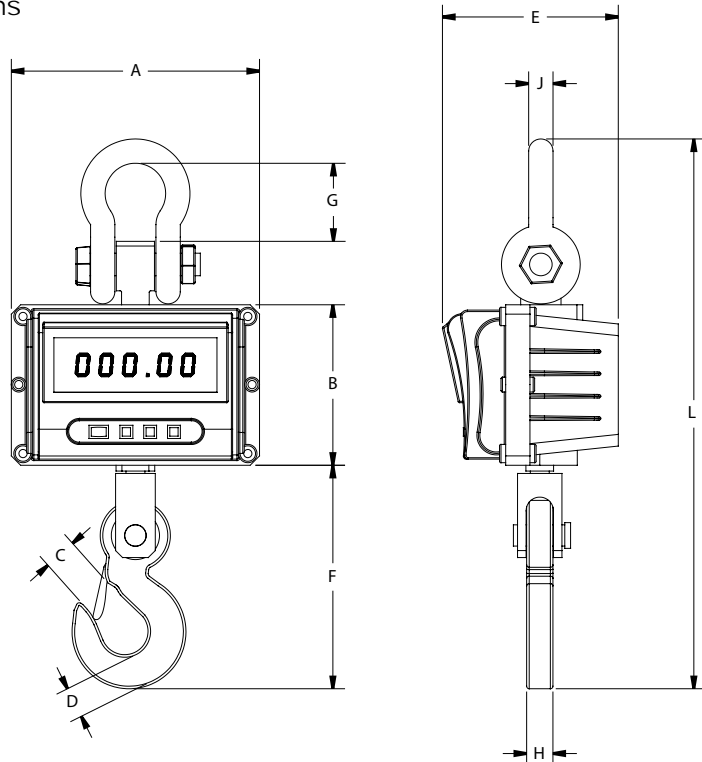
### CMA Series w/ NIST Cert

Model	Capacity	Capacity
CMA-1320-N	1320 lb x 0.5 lb	600 kg x 0.1 kg
CMA-2200-N	2200 lb x 0.5 lb	1000 kg x 0.2 kg
CMA-4400-N	4400 lb x 1 lb	2000 kg x 0.5 kg
CMA-6600-N	6600 lb x 2 lb	3000 kg x 1 kg
CMA-11K-N	11,000 lb x 2 lb	5000 kg x 1 kg
CMA-22K-N	22,000 lb x 5 lb	10,000 kg x 2 kg

### Accessories

Part No.	Description
CMAI	Remote Controller
MA-Loop-S	Top Loop, 2000 lb capacity
MA-Loop-L	Top Loop, 5000 lb capacity
MA-Loop-X	Top Loop, 22,000 lb capacity
MA-Hook-S	Hook, 2000 lb capacity
MA-Hook-L	Hook, 5000 lb capacity
MA-Hook-X	Hook, 22,000 lb capacity
MA-Power	Charger/Adapter, Universal

### Dimensions



#### Inches

Model	A	B	C	D	E	F	G	H	J	L
CMA-1320	10.63"	6.77"	1.97"	1.85"	7.53"	9.56"	3.26"	1.12"	0.98"	24.02"
CMA-2200	10.63"	6.77"	1.97"	1.85"	7.53"	9.56"	3.26"	1.12"	0.98"	24.02"
CMA-4400	10.63"	6.77"	1.97"	1.85"	7.53"	9.56"	3.26"	1.12"	0.98"	24.02"
CMA-6600	10.63"	6.77"	1.97"	1.85"	7.53"	9.56"	3.26"	1.12"	0.98"	24.02"
CMA-11K	11.69"	7.32"	1.97"	1.97"	9.25"	12.2"	4.53"	1.58"	1.18"	28.94"
CMA-22K	11.69"	7.32"	2.17"	2.76"	9.25"	14.9"	5.12"	1.65"	1.50"	33.27"

#### mm

Model	A	B	C	D	E	F	G	H	J	L
CMA-1320	270	172	50	47	191	243	83	28	25	610
CMA-2200	270	172	50	47	191	243	83	28	25	610
CMA-4400	270	172	50	47	191	243	83	28	25	610
CMA-6600	270	172	50	47	191	243	83	28	25	610
CMA-11K	297	186	50	50	235	310	115	40	30	735
CMA-22K	297	186	55	70	235	380	130	42	38	845

# AMETEK

## MEASUREMENT & CALIBRATION TECHNOLOGIES

Americas  
AMETEK  
Measurement & Calibration  
Technologies  
8600 Somerset Drive  
Largo, Florida 33773  
United States of America  
Tel +1-727-536-7831  
Tel +1-800-527-9999  
Fax +1-727-539-6882  
Email chatillon.fl-lar@ametek.com

United Kingdom  
Lloyd Instruments Ltd.  
Steyning Way  
Bognor Regis  
West Sussex  
PO22 9ST  
United Kingdom  
Tel +44 (0) 1243 833 370  
Fax +44 (0) 1243 833 401  
Email uk-far.general@ametek.co.uk

France  
AMETEK S.A.S.  
Rond Point de l'Épine des Champs  
Buro Plus - Bat. D  
78990 Elancourt  
France  
Tel +33 (0)1 30 68 89 40  
Fax +33 (0)1 30 68 89 49  
Email general@lloyd-instruments.com

Germany  
AMETEK GmbH  
Rudolf-Diesel-Strasse 16  
D-40670 Meerbusch  
Germany  
Tel +49 (0)2159 9136-70  
Fax +49 (0)2159 9136-39  
Email info@ametek.de

Singapore  
AMETEK Singapore Pvt. Ltd.  
10 Ang Mo Kio Street 65  
#05-12 Techpoint  
Singapore 569059  
Tel +65-6484-2388  
Fax +65-6481-6588  
Email aspl@ametek.com.sg

Visit Us on the Worldwide Web at:  
[www.chatillon.com](http://www.chatillon.com)

© 2010 by AMETEK, Inc.

Information within this document is subject to change without notice.

ISO 9001:2000  
ISO/IEC 17025  
Manufacturer