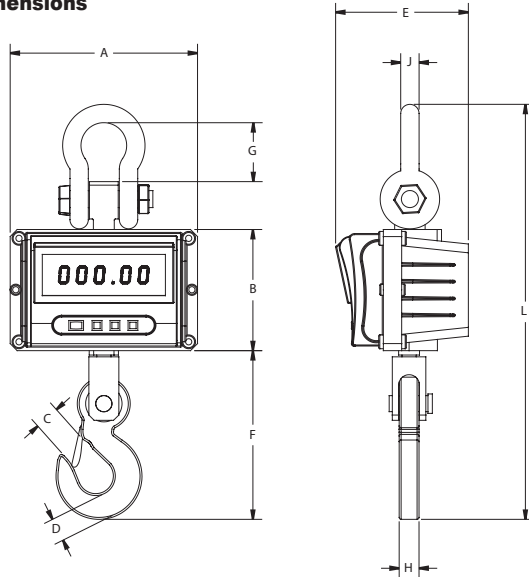


Dimensions



Inches

Model	A	B	C	D	E	F	G	H	J	L
CMA-1320	10.63"	6.77"	1.97"	1.85"	7.53"	9.56"	3.26"	1.12"	0.98"	24.02"
CMA-2200	10.63"	6.77"	1.97"	1.85"	7.53"	9.56"	3.26"	1.12"	0.98"	24.02"
CMA-4400	10.63"	6.77"	1.97"	1.85"	7.53"	9.56"	3.26"	1.12"	0.98"	24.02"
CMA-6600	10.63"	6.77"	1.97"	1.85"	7.53"	9.56"	3.26"	1.12"	0.98"	24.02"
CMA-11K	11.69"	7.32"	1.97"	1.97"	9.25"	12.2"	4.53"	1.58"	1.18"	28.94"
CMA-22K	11.69"	7.32"	2.17"	2.76"	9.25"	5.12"	5.12"	1.65"	1.50"	33.27"

mm

Model	A	B	C	D	E	F	G	H	J	L
CMA-1320	270	172	50	47	191	243	83	28	25	610
CMA-2200	270	172	50	47	191	243	83	28	25	610
CMA-4400	270	172	50	47	191	243	83	28	25	610
CMA-6600	270	172	50	47	191	243	83	28	25	610
CMA-11K	297	186	50	50	235	310	115	40	30	735
CMA-22K	297	186	55	70	235	380	130	42	38	845

Product Warranty

This instrument is warranted against defects in workmanship, material and design for one (1) year from date of delivery to the extent that AMETEK will, at its sole option, repair or replace the instrument or any part thereof which is defective, provided, however, that this warranty shall not apply to instruments subjected to tampering or, abuse, or exposed to highly corrosive conditions.

THIS WARRANTY IS IN LIEU OF ALL OTHER WARRANTIES WHETHER EXPRESS OR IMPLIED AND AMETEK HEREBY DISCLAIMS ALL OTHER WARRANTIES, INCLUDING, WITHOUT LIMITATION, ANY WARRANTY OF FITNESS FOR A PARTICULAR PURPOSE OR MERCHANTABILITY. AMETEK SHALL NOT BE LIABLE FOR ANY INCIDENTAL OR CONSEQUENTIAL DAMAGES, INCLUDING, BUT NOT LIMITED TO, ANY ANTICIPATED OR LOST PROFITS.

This warranty is voidable if the purchaser fails to follow any and all instructions, warnings or cautions in the instrument's Instruction Manual.

If a manufacturing defect is found, AMETEK will replace or repair the instrument or replace any defective part thereof without charge; however, AMETEK's obligation hereunder does not include the cost of transportation which must be borne by the customer. AMETEK assumes no responsibility for damage in transit, and any claims for such damage should be presented to the carrier by the purchaser.

Specifications

Accuracy: ±0.2% Full Scale
Tare Capacity: Full capacity
Safe Overload: 150% full scale
Ultimate Overload: 500% SGS Rated
Data Sampling Rate: 60Hz
Display: LED (No Back Light)
Units of Measure: lb or kg
Power: 120/240V includes Battery Charger with US, UK and EU Plugs
Battery Charge Time: 24 hrs
Remote Operation: Up to 100 ft (30 m)
Operating Temperature: 32° to 104°F (0° to 40°C)
Relative Humidity: 0 to 85%
Warranty: 1 year

Models

Model	Capacity x Resolutions	Scale Weight	Ship Weight
CMA-1320	1320 lb x 0.5 lb 600 kg x 0.2 kg	34 lbs (15 kg)	36 lbs (16.5 kg)
CMA-2200	2200 lb x 0.5 lb 1000 kg x 0.2 kg	34 lbs (15 kg)	36 lbs (16.5 kg)
CMA-4400	4400 lb x 1 lb 2000 kg x 0.5 kg	39 lbs (17 kg)	42 lbs (19 kg)
CMA-6600	6600 lb x 2 lb 3000 kg x 1 kg	42 lbs (19 kg)	45 lbs (20.5 kg)
CMA-11K	11,000 lb x 2 lb 5000 kg x 1 kg	66 lbs (30 kg)	70 lbs (32 kg)
CMA-22K	22,000 lb x 5 lb 10,000 kg x 2 kg	90 lbs (40 kg)	93 lbs (42 kg)

Weights are approximates.

Accessories

Part No.	Description
MA-Loop-S	Top Loop for CMA-1320, CMA-2200 and CMA-4400 (standard)
MA-Loop-L	Top Loop for CMA-6600 and CMA-11K (standard)
MA-Loop-X	Top Loop for CMA-22K (standard)
MA-Hook-S	Bottom Hook for CMA-1320, CMA-2200 and CMA-4400 (standard)
MA-Hook-L	Bottom Hook for CMA-6600 and CMA-11K (standard)
MA-Hook-X	Bottom Hook for CMA-22K (standard)
CMAI	Remote Controller with Receiver (standard)
MA-Power	AC Power Charger/Adapter with US, EU and UK Plugs (standard)



This product is ROHS and WEEE compliant.



Visit us on the Worldwide Web at: www.chatillon.com

Americas

AMETEK
 Measurement & Calibration
 Technologies
 8600 Somerset Drive
 Largo, Florida 33773
 United States of America
 Tel 727 536 7831
 Tel 800 527 9999 (USA Only)
 Fax 727 539 6882
chatillon-har@ametek.com

France
 AMETEK S.A.S.
 Rond Point de l'Epines des
 Champs
 Buro Plus - Bat. D
 78950 Elancourt
 France
 Tel +33 (0) 1 30 68 89 40
 Fax +33 (0) 1 30 68 89 49
general@cyd-instruments.com
ametek.fr

Germany

AMETEK GmbH
 Rudolf-Diesel-Strasse 16
 D-40670 Meerbusch
 Germany
 Tel +49 (0) 2159 9136 0
 Fax +49 (0) 2159 9136 39
info@ametek.de

Singapore

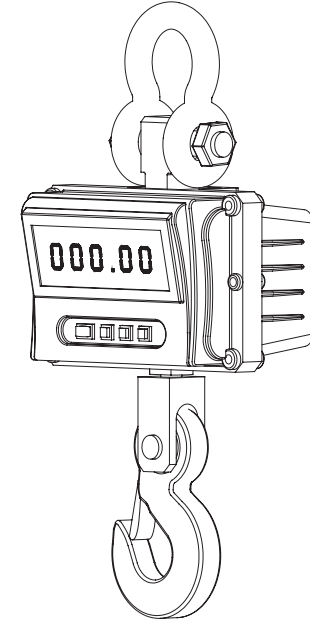
AMETEK Singapore
 Pvt. Ltd.
 10 Ang Mo Kio Street 65
 #05-12 Techpoint
 Singapore 569059
 Tel +65 6484 2388
 Fax +65 6481 6588
asp@ametek.com.sg

United Kingdom

AMETEK
 Lloyd Instruments Ltd.
 Steyning Way
 Bognor Regis
 West Sussex
 PO22 9BT
 United Kingdom
 Tel +44 (0) 1243 833 370
 Fax +44 (0) 1243 833 401
uk-far.general@ametek.co.uk

Chatillon® CMA Series Digital Crane Scale

User's Guide



Chatillon®
Precision Weighing

© 2010 by AMETEK, Inc.

CMA Series Digital Crane Scale

Precautions

Read this manual before attempting to operate your scale. If you are unclear about any of the instructions, contact your Chatillon representative for assistance before using this product.



WARNING

The raised hand icon warns of a situation or condition that may lead to personal injury or death. Do not proceed until the warning is read and thoroughly understood. Warning messages are shown in bold type.



DANGEROUS VOLTAGE

The lightning icon warns of the presence of an uninsulated dangerous voltage within the product enclosure that might be of sufficient magnitude to cause serious shocks or death. Never open the enclosures unless you are an authorized and qualified Chatillon service personnel. Never open any enclosure when power is connected to the system or its components.



CAUTION

The exclamation point icon indicates a situation or condition that may lead to equipment malfunction or damage. Do not proceed until the caution message is read and thoroughly understood. Caution messages are shown in bold type.



NOTE

The note icon indicates additional or supplementary information about the action, activity or concept. Notes are shown in bold type.

General Safety

General safety precautions must be followed when using this Chatillon product. Failure to observe precautions and warnings may result in damage to the equipment, or injury to personnel.

It is understood that safety rules within companies vary. If a conflict exists between the material contained in all Chatillon User's Guides and the rules of a company using a Chatillon product, the more stringent rules should take precedence.

Compliance

This instrument has been tested and complies with the following international standards:

This instrument has been tested and certified in accordance to European Council Directive 89/336/EEC and assessed against the following applicable standards:

EN 61326 : 1997+A1 : 1998+A2 : 2001
EN 55022
EN 61000-3-2 / -3
EN 61000-4-2 / -3 / -4 / -5 / -6 / -11

This product has been safety tested by SGS and found to meet the safety overload specification specified.

This instrument is ROHS and WEEE compliant. This instrument uses batteries. Please dispose them properly after use.

Attaching Accessories

Your CMA scale is supplied with a top loop, bottom hook and remote controller. Never use accessories with your scale that are not approved for use by AMETEK, Inc. If an optional accessory is being used, make sure that the weighing capacity of the accessory is known prior to weighing. And make sure that the item being weighed does not exceed the capacity of the accessory or your CMA scale.

The hook supplied with your CMA scale has a maximum load capacity of 500% of the scale's rated weighing capacity.



WARNING

Never use an accessory with your instrument that has not been approved for use by AMETEK, Inc.

Battery Operation

The scale operates using a rechargeable battery. A 120/240V battery charger is included with the scale. The charger comes with US, UK and EU plugs. An indicator on the display shows when battery requires recharging. Allow 12 hrs for a complete charge.

Keypad

The keys should be used with the fingertip only. Using sharp objects to depress the keys can damage the keypad.



CAUTION

Never use sharp objects to depress the membrane keypad. Use fingertips only.

Power On/Off

Press the ON/OFF key to turn power to the scale On or OFF.

Zero & Tare

Press the Zero key to zero your display prior to each weighing.

When using optional accessories, use the Tare function to tare out the weight of the accessory prior to weighing. You may tare up to 100% of the CMA scale's capacity. When taring is used, the display will show TARE. The display will show a negative value when the Tare function is On and the original accessory has been removed. You should zero the scale to remove the Tare function.



NOTE

When using approved optional accessories, it may be necessary to tare out the weight of the accessory prior to taking a measurement. A negative display indicates that the Tare function is enabled.

Units Selection

The CMA Series can display weight in pounds (lb) or kilograms (kg). Press the UNIT key to select the desired unit of measure. A status indicator on the display shows the current units.

Lock Function

The LOCK function locks the display when you select the Hold key. Use the LOCK key when you have a weight that is unstable. Weigh your material and observe the display. When the display is stable, press the LOCK key to lock the display. Press the LOCK key again to unlock the display. The display has a status indicator showing when the Hold function is enabled.



NOTE

The LOCK function is useful for recording weights on unstable measurements. Allow the display to stabilize and press the LOCK key to lock the displayed result.

Sleep Mode

The scale features an automatic sleep mode to help preserve battery life and the display. If no measurements are being taken while the scale is ON, after a 30 minute period, the scale will turn OFF and go into Sleep mode. Subsequent weighing will return the scale to normal operation.

Display Units of Measurement

To view the units of measure of the current displayed weight, press UNITS and LOCK key simultaneously.

Using Remote Controller

The remote controller may be used to operate main functions on your CMA scale from a line of sight distance of up to 100 ft (30 m) away. Extend the antenna fully when using the remote controller. The battery operated remote controller supports these keypad functions: Tare, Zero, Units, Hold. The remote controller cannot be used to turn scale power ON/OFF.



Overloads

You should always guard against overloads. The display will indicate - - oL - -. Whenever this is displayed, remove weight from the scale immediately.

CAUTION

Overloading the scale may result in permanent damage to the scale's load sensor.

Technical Support

Contact your Chatillon representative where you purchased your scale if you have questions on its operation and applicability to your weighing requirement.

Service

Should your Chatillon product require repair or calibration, contact your Chatillon representative for assistance.