

# Chatillon® 4200 Series Hanging Scales

The CHATILLON® 4200 Series hanging scale are world-renown for their accuracy, dependability and reliability. The 4200 Series feature a glass-covered 9-inch double dial featuring bold black numbers and graduations. Pointers are a contrasting red. Scales feature a fully supported stainless steel pinion in oil-less bearings and a precisely mated bronze rack for rugged dependability. Scale capacity is achieved in three pointer revolutions.

The 4200 Series may be specified as a Class III “Legal for Trade” scale. Available in avoirdupois and metric models, the 4200 Series can be supplied with a bottom hook (nickel plated steel) or the popular AS circular pan. The AS Pan is constructed of stainless steel. The supporting ring and bow are of nickel plated steel. The removable 5-inch deep round pan has drain holes and is USDA approved for use in general food handling.

## Features

- H44 Class III “Legal for Trade”
- Avoirdupois and Metric Graduations
- Full Capacity in Three Pointer Revolutions
- Double 9-inch Dials (Glass Covered)
- Bottom Hook or AS Attachments
- 1 Year Warranty

## Specifications

Accuracy:	See Table
Maximum Overload:	120% of Rated Capacity
Tare Capacity:	10% Full Scale Capacity
Weight with Hook:	6 lbs (3 kg)
Weight with AS Pan:	10 lbs (5 kg)



Shown with bottom hook



Shown with optional AS Pan

### Accuracies - Class III

Model	Resolution	Range	Scale		Tolerance	
			Divisions	Division	Weight	%Accurate
4215-X	15 lb x 1/2 oz	0-1 lb	0-50	±1/2 d	±0.25 oz	±0.10%
		2-6 lb	51-200	±1 d	±0.5 oz	±0.21%
		7-12 lb	201-400	±1-1/2 d	±0.75 oz	±0.31%
		13-15 lb	401 +	±2-1/2 d	±1.25 oz	±0.52%
4230-X	30 lb x 1 oz	0-3 lb	0-50	±1/2 d	±0.5 oz	±0.10%
		4-12 lb	51-200	±1 d	±1 oz	±0.21%
		13-25 lb	201-400	±1-1/2 d	±1.5 oz	±0.31%
		26-30 lb	401 +	±2-1/2 d	±2.5 oz	±0.52%
4260-X	60 lb x 2 oz	0-3 lb	0-50	±1/2 d	±0.5 oz	±0.05%
		4-12 lb	51-200	±1 d	±1 oz	±0.10%
		13-25 lb	201-400	±1-1/2 d	±1.5 oz	±0.16%
		26-60 lb	401 +	±2-1/2 d	±2.5 oz	±0.26%
K4215-X	15 kg x 20 g	0-1 kg	0-50	±1/2 d	±10 g	±0.07%
		2-4 kg	51-200	±1 d	±20 g	±0.13%
		5-8 kg	201-400	±1-1/2 d	±30 g	±0.20%
		9-15 kg	401 +	±2-1/2 d	±50 g	±0.33%
K4230-X	30 kg x 50 g	0-2 kg	0-50	±1/2 d	±25 g	±0.08%
		3-10 kg	51-200	±1 d	±50 g	±0.17%
		11-20 kg	201-400	±1-1/2 d	±75 g	±0.25%
		21-30 kg	401 +	±2-1/2 d	±125 g	±0.42%

### Accuracies - Class III “Not Legal for Trade”

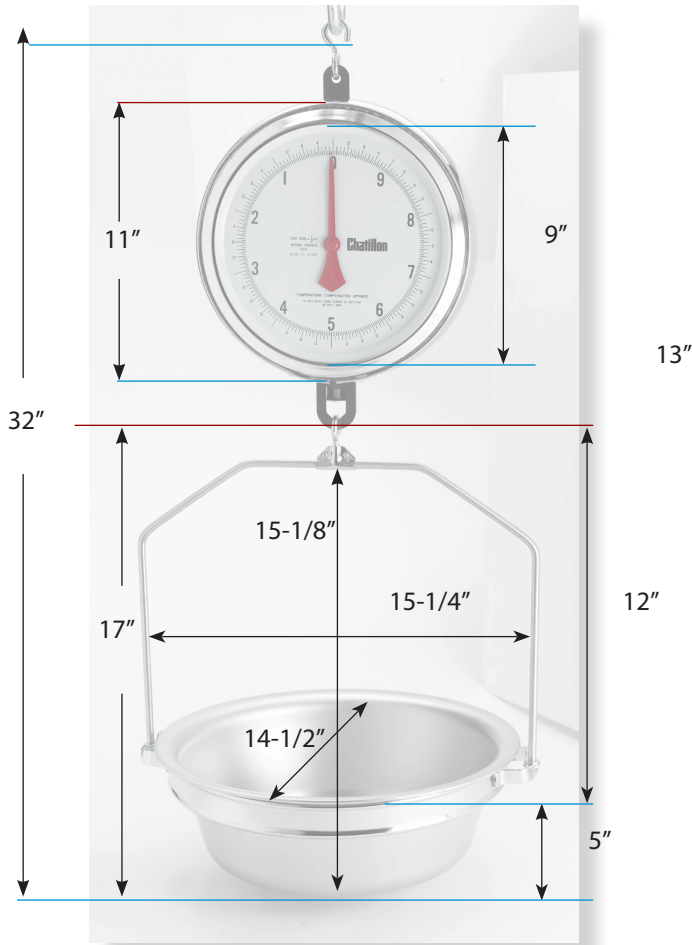
Model	Resolution	Range	Scale		Tolerance	
			Divisions	Division	Weight	%Accurate
4230-T	30 lb x 1/2 oz	0-15 lb	0-500	±1/2 d	±0.25 oz	±0.05%
		16-30 lb	501-2000	±1 d	±0.5 oz	±0.10%

These accuracies and tolerances are based on Handbook 44 Guidelines.

Certificate of Conformance No. 87-092, Model 0024/A was issued under the national Type Evaluation Program of the National Conference on Weights and Measures, that the design conforms to NIST Handbook 44 Class III.

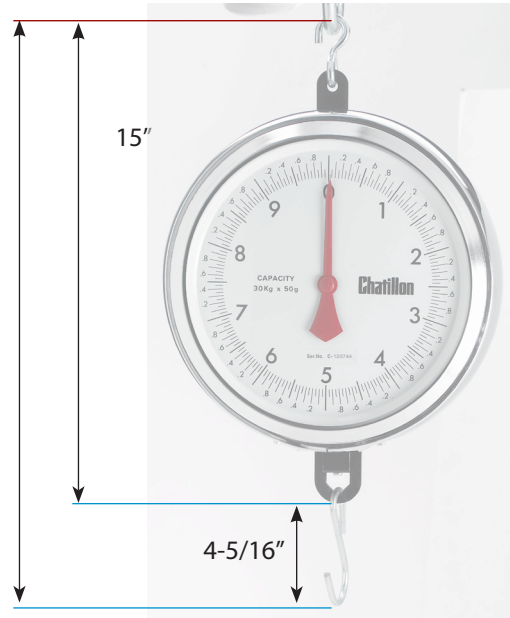
The scale is “Legal for Trade” subject to on-site verification by the local Weights and Measures jurisdictions.

## Dimensions



## Accessories

Part No.	Description
5854	Bottom Hook
SPK-SCALE-ASAS	Pan Assembly ( 4 lbs)
7436-1	AS Pan Only
16097	Bow, for AS Pan
16098	Ring, for AS Pan



## Ordering

### H44 Class III "Legal for Trade"

Old Model	New Model	Capacity	Dial	Attachment
0624HDD	4230DD-T-H	30 lb x 1/2 oz	Double	Bottom Hook
5624ASDD	4230DD-T-AS	30 lb x 1/2 oz	Double	AS Pan

Certificate of Conformance No. 87-092, Model 0024/A was issued under the national Type Evaluation Program of the National Conference on Weights and Measures, that the design conforms to NIST Handbook 44 Class III. The scale is "Legal for Trade" subject to on-site verification by the local Weights and Measures jurisdictions.

### H44 Class IIII "Not Legal for Trade"

Old Model	New Model	Capacity	Dial	Attachment
4250HDD	4215DD-X-H	15 lb x 1/2 oz	Double	Bottom Hook
4250ASDD	4215DD-X-AS	15 lb x 1/2 oz	Double	AS Pan
4260HDD	4230DD-X-H	30 lb x 1 oz	Double	Bottom Hook
4265ASDD	4230DD-X-AS	30 lb x 1 oz	Double	AS Pan
4270H	4260-X-H	60 lb x 1 oz	Single	Bottom Hook
4270AS	4260-X-AS	60 lb x 1 oz	Single	AS Pan
K4260HDDK	4215DD-X-H	15 kg x 20 g	Double	Bottom Hook
K4265ASDDK	4215DD-X-AS	15 kg x 20 g	Double	AS Pan
K4270HDDK	4230DD-X-H	30 kg x 50 g	Double	Bottom Hook
K4270ASDDK	4230DD-X-AS	30 kg x 50 g	Double	AS Pan

**UK**  
Tel +44 (0)1243 833 370  
uk-far.general@ametek.co.uk

**France**  
Tel +33 (0)1 30 68 89 40  
general.lloyd-instruments@ametek.fr

**Germany**  
Tel +49 (0)2159 9136 510  
info.mct-de@ametek.de

**Denmark**  
Tel +45 4816 8000  
ametekdk@ametek.com

**USA**  
Florida  
Tel +1 (727) 538 6000  
chatillon.fl-lar@ametek.com

California  
Tel +1 (800) 444 1850  
sales@crystalengineering.net

**India**  
Tel +91 22 2836 4750  
ametekdk@ametek.com

**Singapore**  
Tel +65 6484 2388  
ametekdk@ametek.com

**China**  
Shanghai  
Tel +86 21 5868 5111

Beijing  
Tel +86 10 8526 2111

Guangzhou  
Tel +86 20 8363 4768  
lloyd@ametek.com.cn